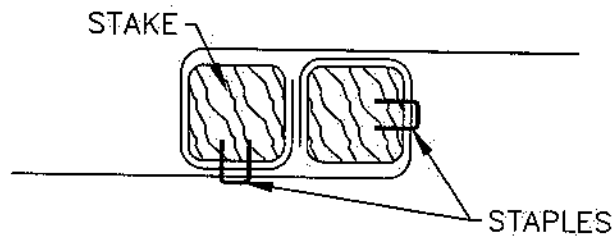
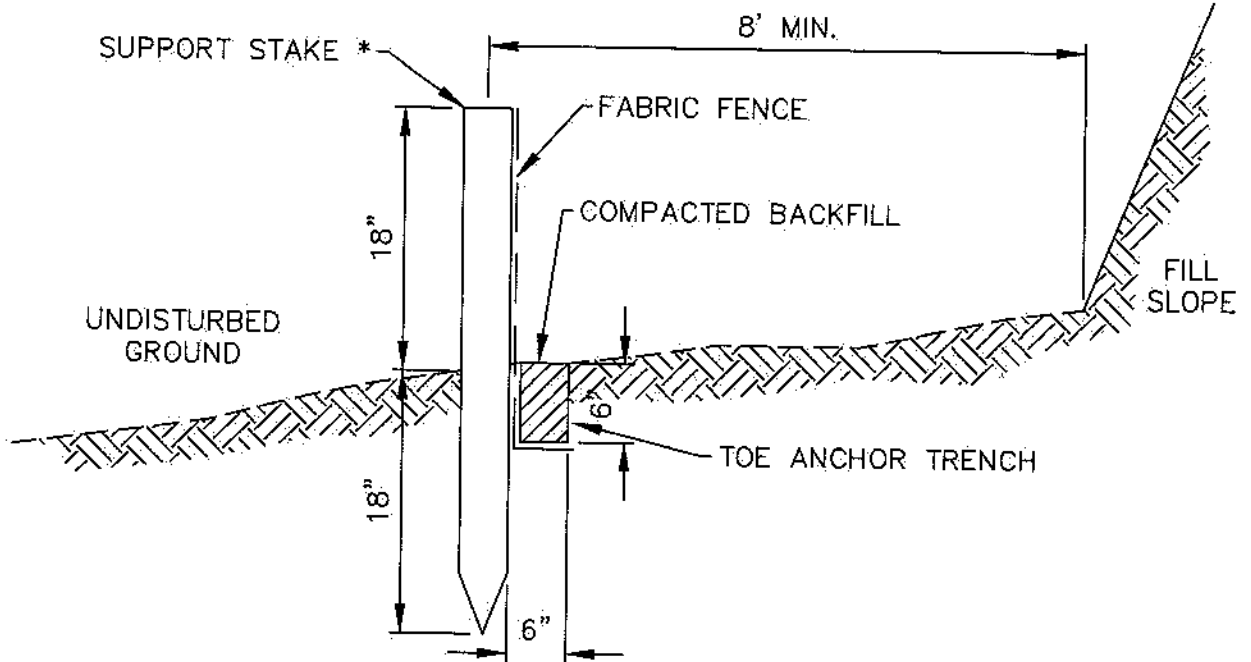


STANDARD SILT FENCE (18" HIGH)



JOINING FENCE SECTIONS

*STAKES SPACED @ 8' MAX.
USE 2"x2" ($\pm \frac{3}{8}$ ") WOOD
OR EQUIVALENT STEEL (U
OR T) STAKES.



FABRIC WIDTH SHALL BE 30" MINIMUM. STAKES SHALL BE HARDWOOD OR EQUIVALENT STEEL (U OR T) STAKES.

SILT FENCE SHALL BE PLACED AT LEVEL EXISTING GRADE. BOTH ENDS OF THE FENCE SHALL BE EXTENDED AT LEAST 8 FEET UP SLOPE AT 45 DEGREES TO THE MAIN FENCE ALIGNMENT.

SEDIMENT SHALL BE REMOVED WHEN ACCUMULATIONS REACH HALF THE ABOVE GROUND HEIGHT OF THE FENCE.

ANY SECTION OF SILT FENCE WHICH HAS BEEN UNDERMINED OR TOPPED SHALL BE IMMEDIATELY REPLACED WITH A ROCK FILTER.

FENCE SHALL BE REMOVED AND PROPERLY DISPOSED OF WHEN TRIBUTARY AREA IS PERMANENTLY STABILIZED.

USER: [Steven.Torres] Date: [May 27, 2016] Time: [2:45pm] File Location: [\\AED-SERVER\Shared Folders\CADD\Municipal\Tarpon Springs\14.15-25 (Standards Update)\Cadd\Current\G-01.dwg]

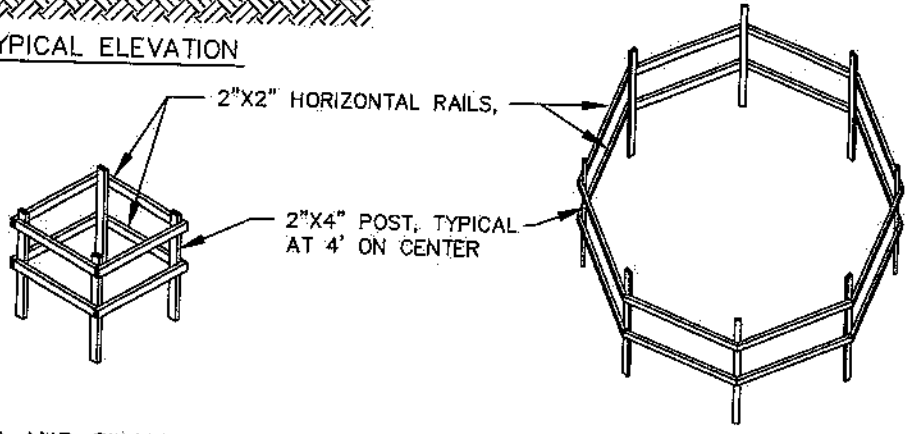
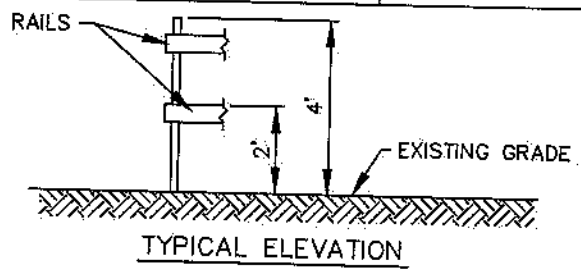
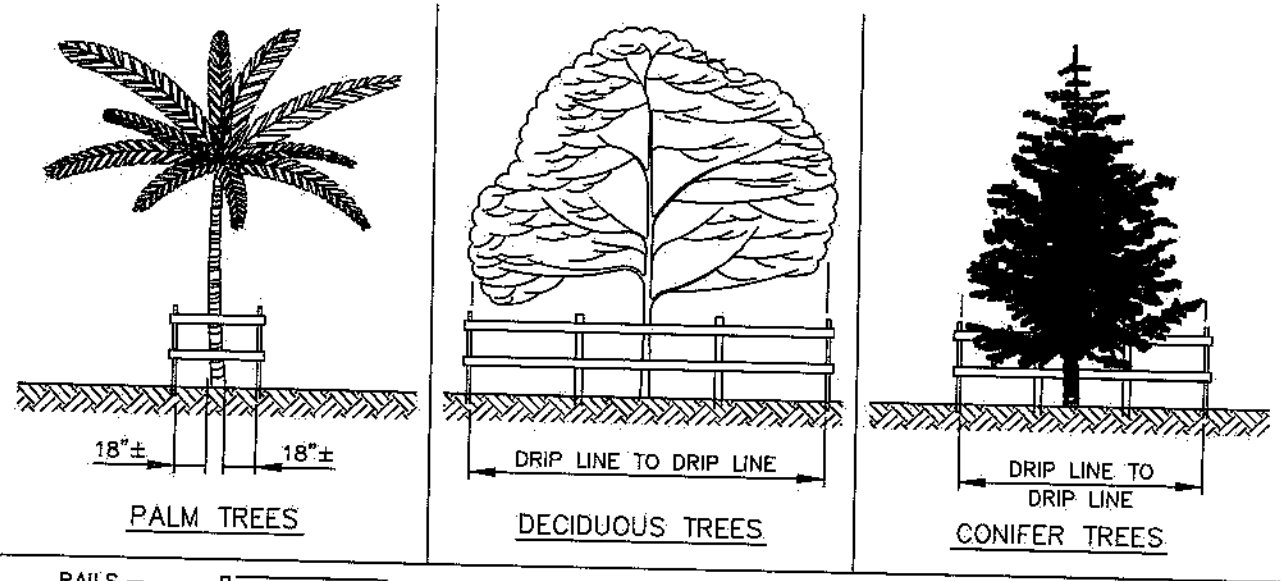


**CITY OF
TARPON SPRINGS**
PINELLAS COUNTY, FLORIDA

**SILT FENCE INSTALLATION
DETAIL**

DATE	12/15/15
INDEX	G-01
SCALE	SHEET
N.T.S.	1 OF 1

USER: [Steven.Porres] Date: [May 27, 2016] Time: [2:45pm] File Location: [\\AED-SERVER\Shared Folders\CADD\Municipal\Tarpon Springs\14.TS-25 (Standards Update)\Cadd\Current\G-02.dwg]



- NOTES:**
1. NO TRUCKS OR HEAVY EQUIPMENT ALLOWED WITHIN BARRIERS, ONLY HAND LABOR ALLOWED.
 2. NO CONSTRUCTION MATERIALS, SOIL DEPOSITS, OR SOLVENTS SHALL BE ALLOWED INSIDE BARRIERS.
 3. BARRIERS ARE TO BE IN PLACE PRIOR TO ANY CONSTRUCTION ACTIVITIES NEAR TREES.
 4. BARRIERS ARE TO REMAIN IN PLACE UNTIL ALL PAVING, CONSTRUCTION, AND HEAVY EQUIPMENT ARE REMOVED FROM THE AREA.
 5. FOR SINGULAR PALM TREES AND TREES FROM 1" TO 8" DBH.
 6. FOR LARGER TREES LARGER THAN 8" DBH AND TREE CLUSTERS THAT NEED BARRIERS.



**CITY OF
TARPON SPRINGS**
PINELLAS COUNTY, FLORIDA

**TREE PROTECTION FENCE
BARRIERS DETAIL**

DATE	12/15/15
INDEX	G-02
SCALE	N.T.S.
SHEET	1 OF 1